

Electrical

Input voltage: 230-240V AC, single phase 50 Hz
 Rated power: 1600 W
 Motor type: Dyson digital motor. Switched reluctance brushless
 Motor speed: 88,000 rpm
 Heater type: None
 Standby power consumption: 1 W
 Energy consumption per dry: 0.0044 kWh

Construction

Polycarbonate-ABS casing with homogenous antimicrobial additive in all external surfaces
 Colour finish: Metallic steel finish PC-ABS
 Anti-microbially impregnated external plastics and seals
 Galvanised steel back plate / mounting bracket
 Tamper-proof T30 type exterior screws
 Water ingress protection to IPX5

Filtration

Lifetime anti-microbial HEPA H12 filter
 Particulate removal tested to 99.5% at 0.15 μ MPPS according to EN1822
 Bacteria removal 99.9%

Operation

Touch-free infra-red activation
 Hand dry time: 10 seconds (measured to method defined by National Sanitation Foundation protocol P.335)
 Operation lock-out period: 30 seconds
 Airspeed at nozzle: 400 mph
 Operating airflow: 37 l/s
 Rated operating noise power: 85 dB(A)

Logistics

Serial number prefix: A03
 Single unit order code: 14977-01
 Unit weight: 10 kg
 Packaged weight: 13 kg
 Packaged dimensions: 740 x 360 x 310 mm
 Pallet count: 13
 Pallet type: UK (1200 x 1000 mm)
 Unit barcode: 5025155007853

Standard warranty

5 year (or 350,000 uses) parts, 1 year labour

Product Certification

BEAB approved to IEC/EN60335-1 and IEC/EN60335-2-23
 Compliant to EMC directive according to EN55014-1, EN55014-2, EN61000-3-2, EN61000-3-3

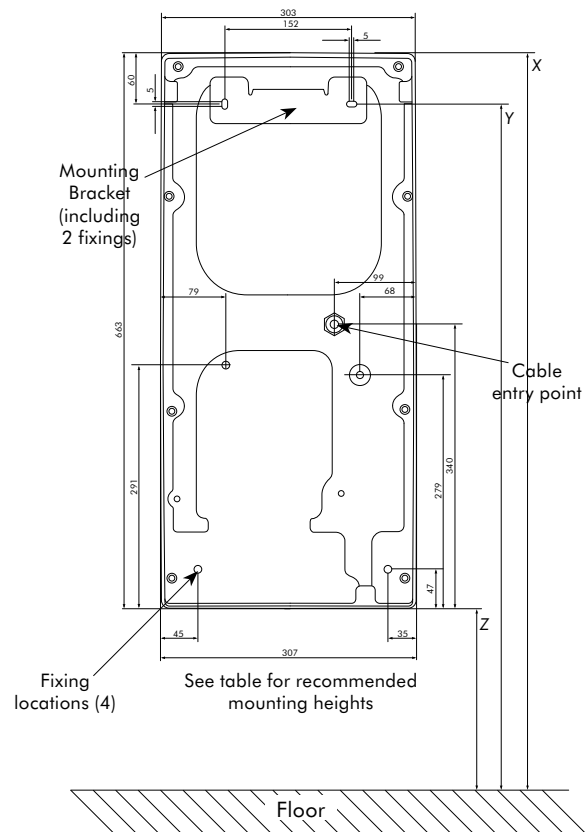
Recommended installation heights measured from floor	Male	Female	Child or Disabled
x To top of machine	1050 mm	975 mm	875 mm
y To mounting bracket screw	990 mm	915 mm	815 mm
z To bottom of machine	387 mm	312 mm	212 mm

Manufactured materials

Plastic: ABS, PC/ABS, PC, PP (+ PPGF and PPTF), PET-TS
 Thermoset (BMC/DMC), PEEK
 Rubber: EPDM, SBR, NR (Nitrile Rubber)
 Metal: Stainless steel, galvanized steel, zinc diecast alloy brass

For further information please contact Dyson on **0800 345 7788 (UK) 01-401-8300 (IE)** or email any questions to airbladeQ&A@dyson.com

REAR ELEVATION



SIDE ELEVATION

